

Highbay - 115W/161W/215W

Model Serie: VL-LED467-L

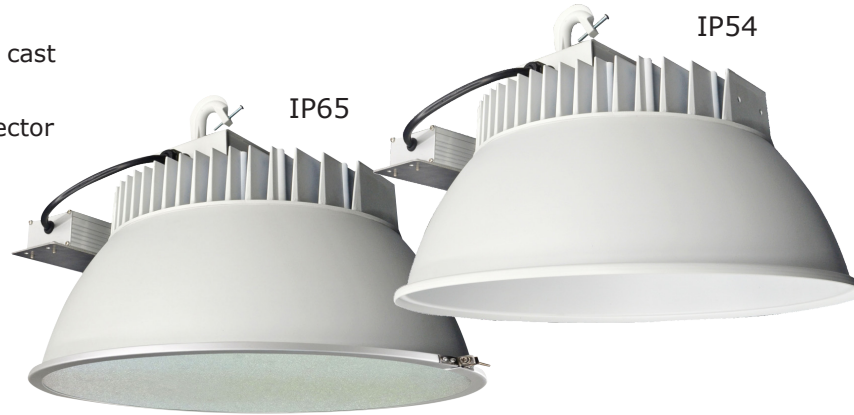


ELECTROPARTS

Technical Data

Features:

- ▶ Superior heavy duty-die cast aluminum construction
- ▶ Anodized aluminum reflector
- ▶ Glare-free
- ▶ Easy maintenance



26400
lm*

122
lm/W*

80/90
Ra

*The values for 5000K, 215W version

Specification

	VL-LED467-L3	VL-LED467-L5	VL-LED467-L9
Electrical Information			
Power Consumption	115W	161W	215W
Input Voltage	120-277V		
LED Chip	CREE		
Optical Information			
Color Temperatures	2700K-6500K		
Lumen Output (lm)	13950lm	17900lm	26400lm
Beam Angle	120°		
CRI	80+ and 90+		
Lumen Maintenance (L70)	50,000h		
Environmental Factor			
Starting Temperature	-40°C		
Operating Temperature	-40°C ~ +50°C		
Protection Level	IP54 & IP65*		
Warranty	3 years		
Mechanical Information			
Dimensions	h 307mm Ø 409mm		
Weight	4.8kg		
Mounting	Hook and suspension rail bracket		

*IP54 = separate protection glass and band clamp



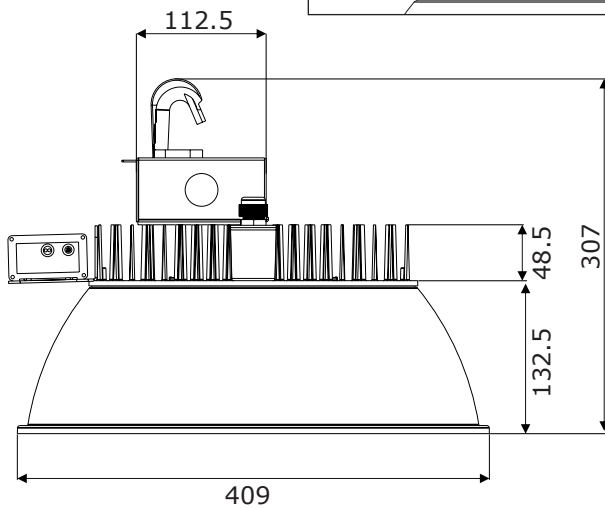
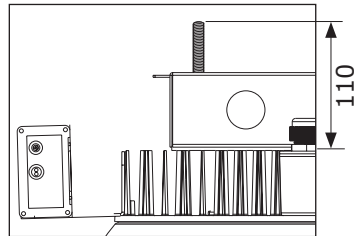
Highbay - 115W/161W/215W

Model Serie: VL-LED467-L

Dimensions

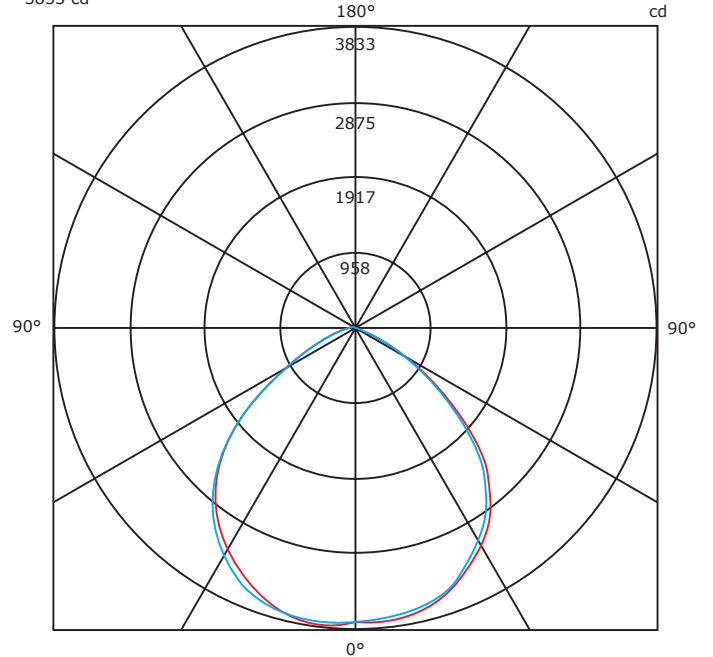
in mm

Suspension rail bracket



Photometrics

Peak Intensity: 3833 cd Located at Horizontal Angle = -5 Vertical Angle = -5



— Vertical Axial Candela
— Horizontal Axial Candela

Power	Product Numbers	Electrical Numbers (in Finland)	Optics	CCT	CRI (Ra)	Lumen (lm)
115W	VL-LED467-L3-02-8-54	4312600	120°	4000K	80+	n/a
115W	VL-LED467-L3-02-8-65	4312601				n/a
161W	VL-LED467-L5-02-8-54	4312602				n/a
161W	VL-LED467-L5-02-8-65	4312603				n/a
215W	VL-LED467-L9-02-8-54	4312604				n/a
215W	VL-LED467-L9-02-8-65	4312605				n/a
115W	VL-LED467-L3-01-8	n/a		5000K	80+	13950
161W	VL-LED467-L5-01-8	n/a				17900
215W	VL-LED467-L9-01-8	n/a				26400