

# Panel Light - 36W

Model Number: VL PL-30120

## Features:

- ▶ High power-efficiency
- ▶ Low structure
- ▶ Flat light surface
- ▶ Low temperature
- ▶ Long service life

## Application:

- ▶ Offices
- ▶ Shops
- ▶ Schools
- ▶ Hospitals
- ▶ Technical facilities



3600  
lm

100  
lm/W

≥80  
Ra

## Optical Information

Color Temperature	3000K, 4000K, 6000K
Lumen Output (lumen)	3600
Optics	110°
CRI	≥80
Led Chip	SMD4014
Led quantity	n/a
Lumen Maintenance (L70)	30,000h

## Environmental Factor

Operating Temperature	-25 ~ +50°C
Protection Level	IP40
Warranty	5 years

## Mechanical Information

Dimensions (W x L x H)	1195mm x 295mm x 10mm
Weight	4.2kg
Material	Aluminum, PCP
Power supply*	Flicker Free

\*Also available: Standard, Triac dimmer, 0/1V-10C Dimmer, Push Dimmer, DALI

## Electrical Information

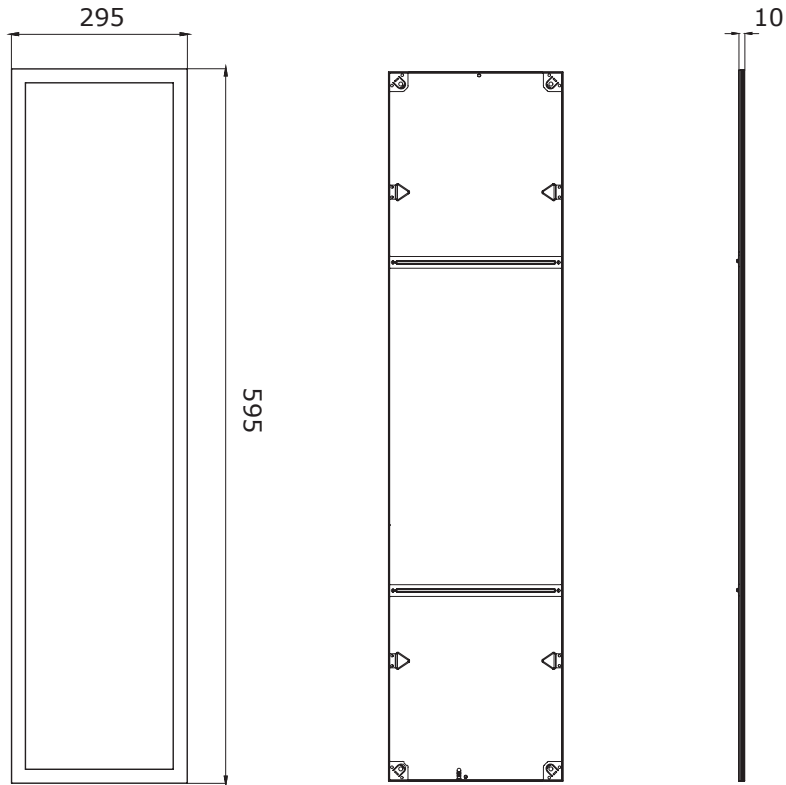
Input Voltage	AC100-240V 50-60Hz
Power Consumption	36W
Dimmibility	Available

# Panel Light - 36W

Model Number: VL PL-30120

## Dimensions

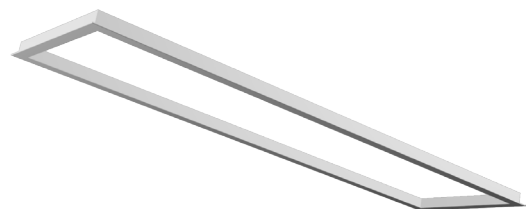
in mm



## Product Description:



Surface-Mounted Frame

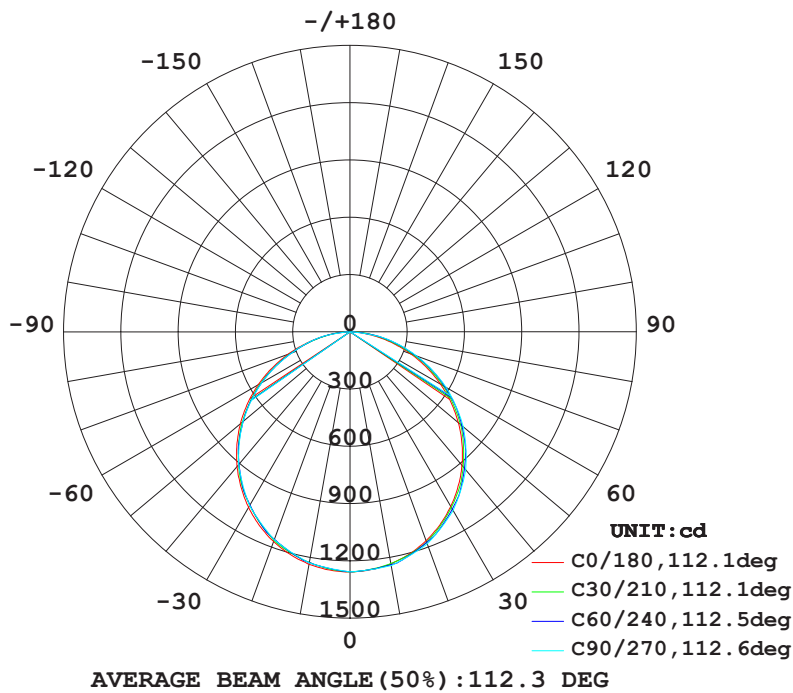


Recessed Frame

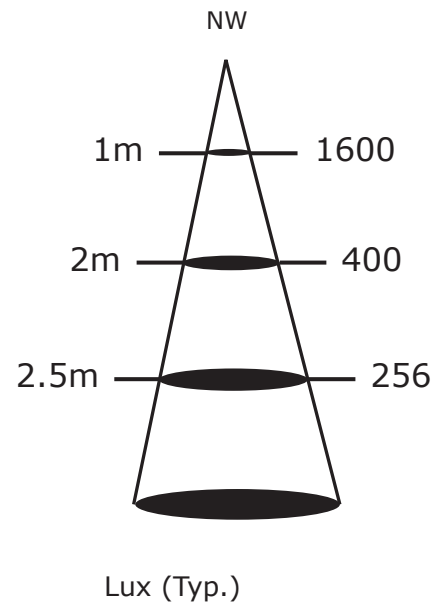
# Panel Light - 36W

Model Number: VL PL-30120

Photometrics



Illuminance at Distance



Power	Product Numbers	Electrical Numbers (in Finland)	Beam Angle	CCT	lux @ 1m	Lumen (lm)
36W	VL PL-30120-36-FW2		110°	3000K		100
	VL PL-30120-36-FN2	4226753	110°	4000K	1600	
	VL PL-30120-36-FB2		110°	6000K		

Also available:  
 Color Temperature: 5000K  
 Power: 40W and 48W  
 Power supply:  
 Standard, Triac dimmer, 0/1V-10C Dimmer, Push Dimmer, DALI

