

Highbay - 80W/100W/120W/150W

Model Number: VL-HBL-02-G6

Feature:

- ▶ High power efficiency
- ▶ Timeless design
- ▶ Glare-free structure
- ▶ Low temperature
- ▶ Long service life

Application:

- ▶ Public spaces
- ▶ Stores
- ▶ Shopping centers



21000
lm*

140
lm/W*

≥80
Ra

*The values for
150W version

Optical Information

Color Temperatures	3000K, 4000K, 5700K
Lumen Output (lm)	(80W) 11200, (100W) 14000, (120W) 16800, (150W) 21000
Optics	50°, 90°, 120°
CRI	≥80
Led Chip	Philips Lumileds 3030
Led qty	(80W) 168psc, (100W) 168pcs, (120W) 224psc, (150W) 224psc
Lifespan (L70)	50,000h

Environmental Factors

Operating Temperature	-20 ~ +50°C
Protection Level (IP)	65
Warranty	5 years

Mechanical Information

Dimensions	Ø 391mm h 212mm
Weight	3.75kg
Material	Aluminum

Electrical Information

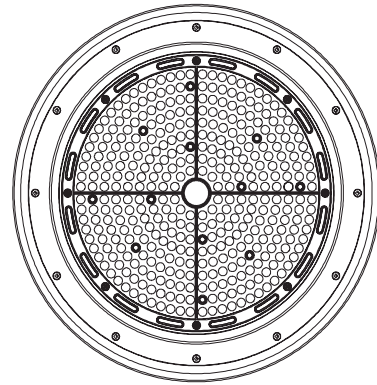
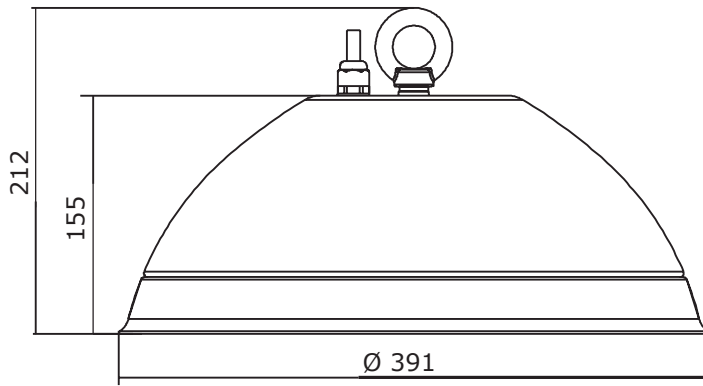
Input Voltage	AC100-277V, 50/60Hz
Power Consumption	80W, 100W, 120W, 150W
Dimmability	Available: 0-10V, DALI

Highbay - 80W/100W/120W/150W

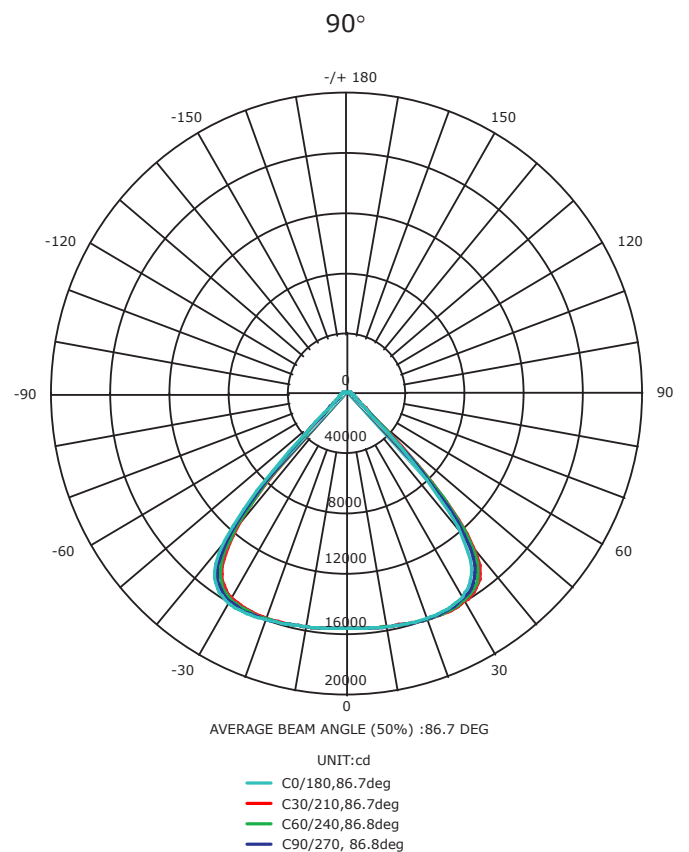
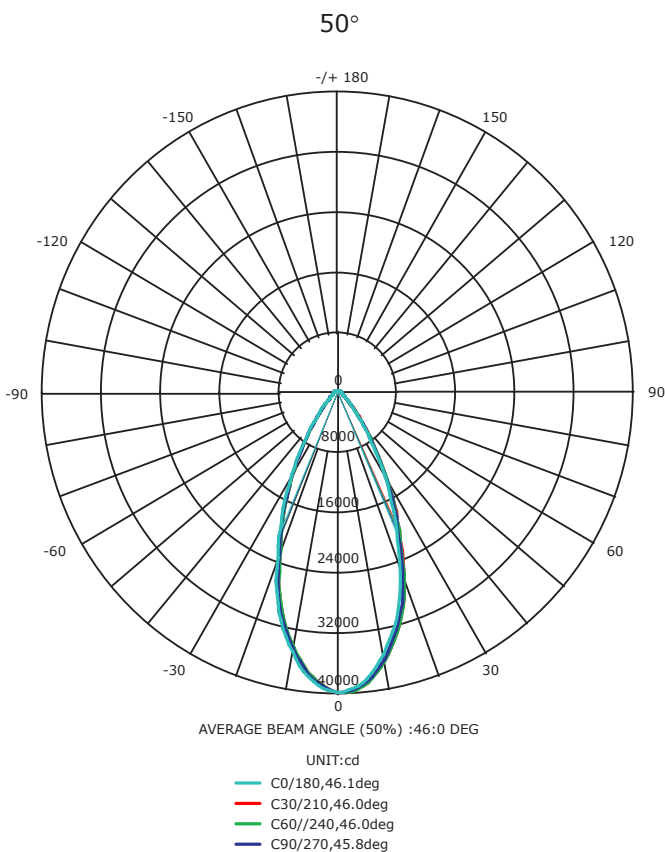
Model Number: VL-HBL-02-G6

Dimensions

in mm



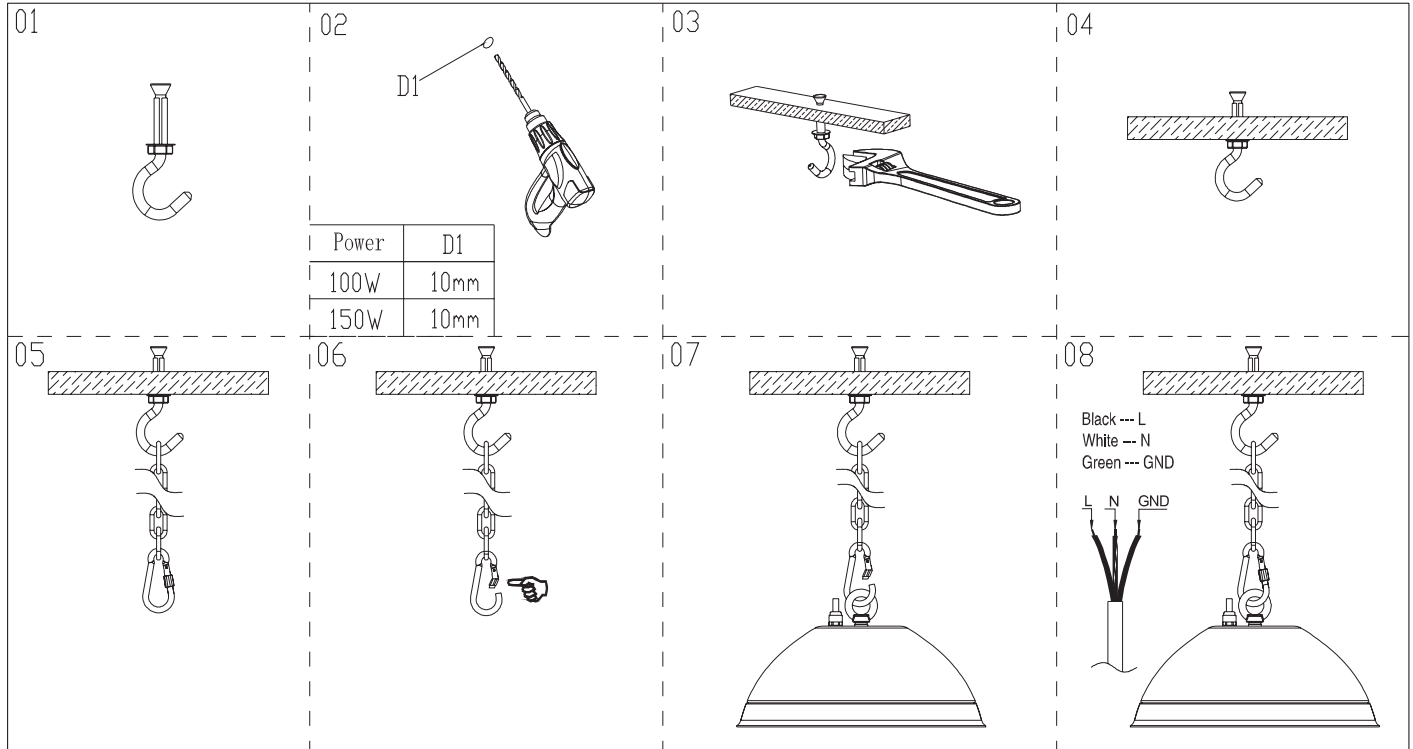
Photometry



Highbay - 80W/100W/120W/150W

Model Number: VL-HBL-02-G6

Installation



Power	Product Numbers	Electrical Numbers (in Finland)	Optics	CCT	lux @ 1m	Lumen (lm)
80W	VL-HBL80W-02-G6-52	n/a	50°	4000K	n/a	
	VL-HBL80W-02-G6-92		90°			
	VL-HBL80W-02-G6-122		120°			
100W	VL-HBL100W-02-G6-52		50°			
	VL-HBL100W-02-G6-92		90°			
	VL-HBL100W-02-G6-122		120°			
120W	VL-HBL120W-02-G6-52		50°			
	VL-HBL120W-02-G6-92		90°			
	VL-HBL100W-02-G6-122		120°			
150W	VL-HBL150W-02-G6-52		50°			
	VL-HBL150W-02-G6-92		90°			
	VL-HBL150W-02-G6-122		120°			