

# Highbay - 115W/161W/215W

Model Serie: VL-LED467A-L



**ELECTROPARTS**

**Technical Data**

## Features:

- ▶ Superior heavy duty-die cast aluminum construction
- ▶ Anodized acrylic reflector
- ▶ Glare-free
- ▶ Easy maintenance



26400  
lm\*

122  
lm/W\*

80/90  
Ra

\*Values for 215W version

## Specification

	VL-LED467A-L3	VL-LED467A-L5	VL-LED467A-L9
<b>Electrical Information</b>			
Power Consumption	115W	161W	215W
Input Voltage	120-277V		
LED Source	CREE		
<b>Optical Information</b>			
Color Temperature	2700K-6500K		
Lumen Output (lm)	13950lm	17900lm	26400lm
Beam Angle	120°		
CRI	80+ and 90+		
Lumen Maintenance (L70)	50,000h		
<b>Environmental Factor</b>			
Starting Temperature	-40°C		
Operating Temperature	-40°C ~ +50°C		
Protection Level	IP54		
Warranty	3 years		
<b>Mechanical Information</b>			
Dimensions	h 393.5mm Ø 412mm		
Weight	9.81kg		
Mounting	Hook and suspension rail bracket		



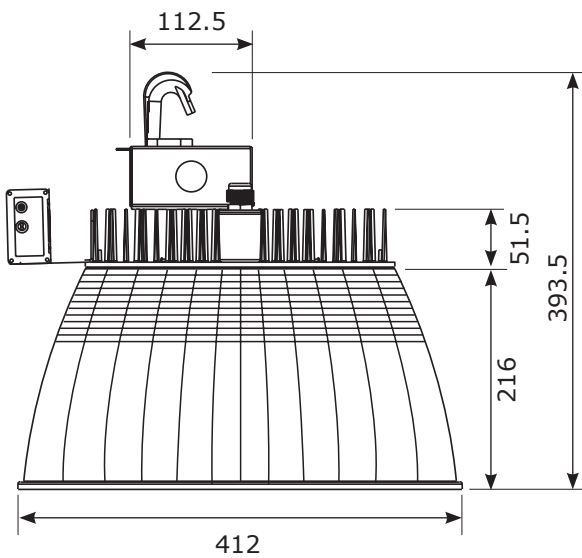
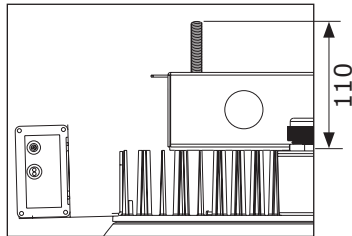
# Highbay - 115W/161W/215W

Model Serie: VL-LED467A-L

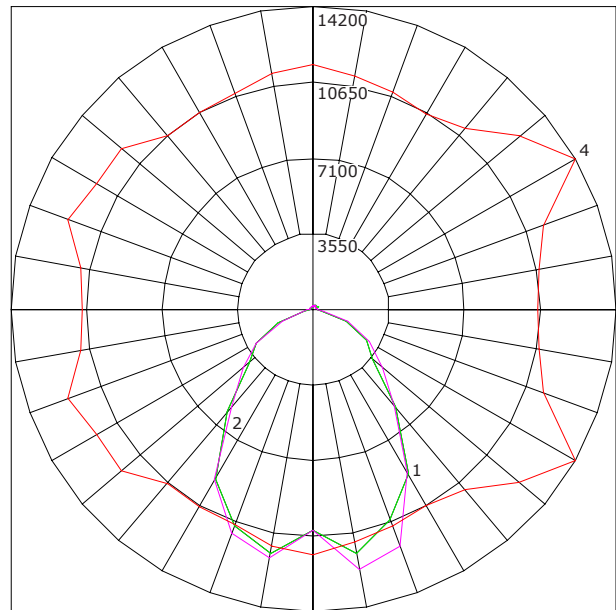
## Dimensions

in mm

Suspension rail bracket



## Photometrics



Maximum Candela = 14199.77 /  
Located At Horizontal Angle = 30, Vertical Angle = 20  
#1 - Vertical Plane Through Horizontal Angles (0 - 180)  
#2 - Vertical Plane Through Horizontal Angles (180 - 0)  
#3 - Vertical Plane Through Horizontal Angles (45 - 225)  
#4 - Horizontal Cone Through Vertical Angle (20) (Through Max. Cd.)

Power	Product Numbers	Electrical Numbers (in Finland)	Optics	CCT	CRI (Ra)	Lumen (lm)
115W	VL-LED467A-L3-02-8	n/a	120°	4000K	80+	13950
161W	VL-LED467A-L5-02-8	n/a				17900
215W	VL-LED467A-L9-02-8	n/a				26400
115W	VL-LED467A-L3-02-9	n/a			90+	n/a
161W	VL-LED467A-L5-02-9	n/a				n/a
215W	VL-LED467A-L9-02-9	n/a				n/a